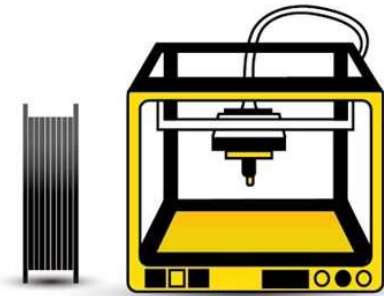


We have redesigned the reminder devices, both to reduce their environmental impact and to make it cheaper to manufacture small quantities



We now 3D print devices using PLA+ plastic, which is a biodegradable plastic made from corn starch or sugarcane. 3D printing vastly reduces plastic waste caused when devices are machined or cut from solid material. PLA plastic is biodegradable, but don't worry it is still strong, for it to degrade it needs heat and moisture. 3D printing also gets rid of most of any Minimum Order Quantities because all the work can be done 'in-house'.

You may wonder why we still offer Lever Frame Reminder Devices when they are so outdated. The truth is that there are still a surprising number of Lever Frame signal boxes still in use. So long as they still need Reminder Devices, we will supply them.

Railway folk are cautious, which is the correct way to be. Some of the 3D printed Lever Frame devices have been easily accepted, some we are still working on. The main concern has been replacing steel devices with ones made from plastic, but we have modified the original designs to improve strength. We can even go to Carbon Fibre reinforced plastic, but then the choice of colour is black or black. The suppliers of the plastic we use have data sheets available which include strength information, we are happy to supply copies of those sheets.

We haven't printed all versions yet, so we show some we have done on the following page, and then go back to original pictures for the rest.

If there is a size, shape, colour or type of device that isn't shown, contact us, the answer is probably 'yes' we can design and make that for you.

DAVRON

Reminder Device
Lever Frame
Update - Aug 2023

Tel: 0161-483 5678
www.davron.co.uk
railremdev@davron.co.uk

R-RA-LFST STOP THINK

'STOP THINK'

for use with
Signal Lever Release Handle

L 126.0mm
w 57.0mm
H 25.0mm
HOLE 40.0mm dia

all dimensions approx.



R-RA-LFST RED STOP THINK

'STOP THINK'

for use with
Signal Lever Release Handle

L 126.0mm
w 57.0mm
H 25.0mm
HOLE 40.0mm dia

all dimensions approx.

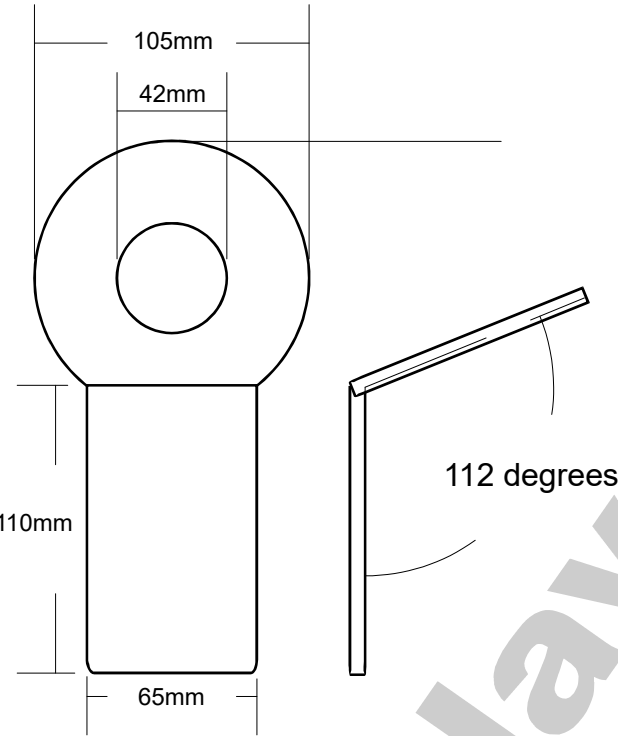




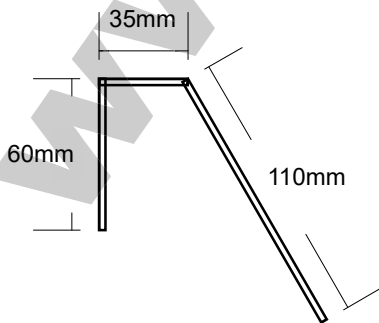
Reminder Device Lever Frame Update - Aug 2023

Tel: 0161-483 5678
www.davron.co.uk
railremdev@davron.co.uk

R-RA-0137 Lever Collar
for use with
Signal Lever Release Handle
all dimensions approx.



R-RA-0138 Absolute
Block Reminder
for use with
Signal Lever Release Handle
all dimensions approx.



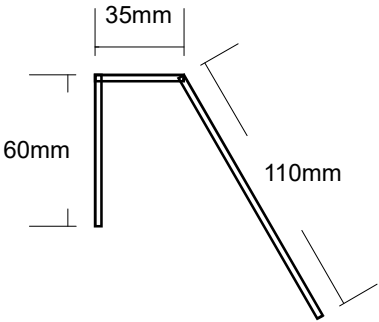


Reminder Device Lever Frame Update - Aug 2023

Tel: 0161-483 5678
www.davron.co.uk
railremdev@davron.co.uk

R-RA-0189 Block Reminder
Train Waiting

for use with
Signal Lever Release Handle
all dimensions approx.



www.davron.co.uk

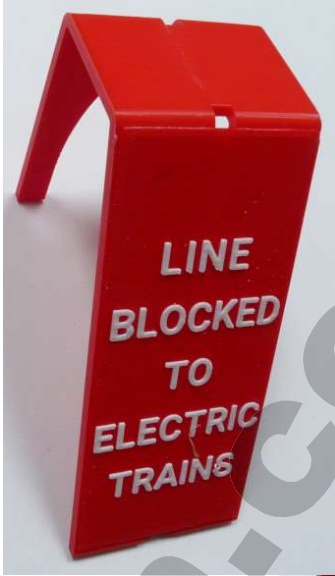
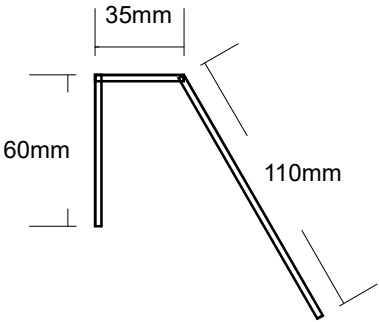


Reminder Device Lever Frame Update - Aug 2023

Tel: 0161-483 5678
www.davron.co.uk
railremdev@davron.co.uk

R-RA-0192 Block Reminder
Line blocked

for use with
Signal Lever Release Handle
all dimensions approx.



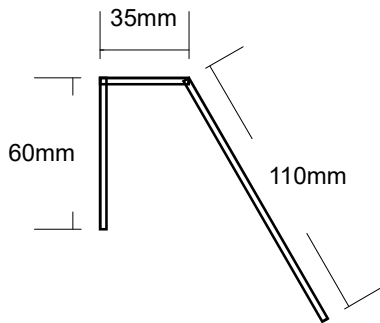
DAVRON

Reminder Device
Lever Frame
Update - Aug 2023

Tel: 0161-483 5678
www.davron.co.uk
railremdev@davron.co.uk

R-RA-0191 BLOCK FAILURE

for use with
Signal Lever Release Handle
all dimensions approx.



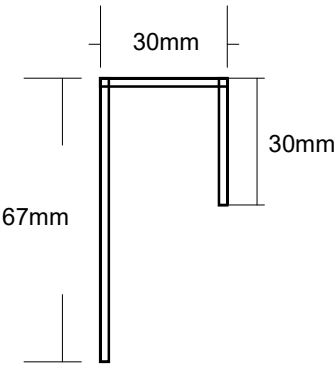


Reminder Device Lever Frame Update - Aug 2023

Tel: 0161-483 5678
www.davron.co.uk
railremdev@davron.co.uk

R-RA-0139 Tokenless
Block Reminder

for use with
Signal Lever Release Handle
all dimensions approx.



R-RA-0119 DISCON

'WORKMAN - DISCONNECTED'

75.0mm dia

all dimensions approx.



DAVRON

Reminder Device
Lever Frame
Update - Aug 2023

Tel: 0161-483 5678
www.davron.co.uk
railremdev@davron.co.uk

R-RA-0124 LINE BLOCK

'LINE BLOCKED / NOT IN USE'

115.0mm OD dia.
45.0mm ID dia.

all dimensions approx.



www.davron.co.uk



www.davron.co.uk

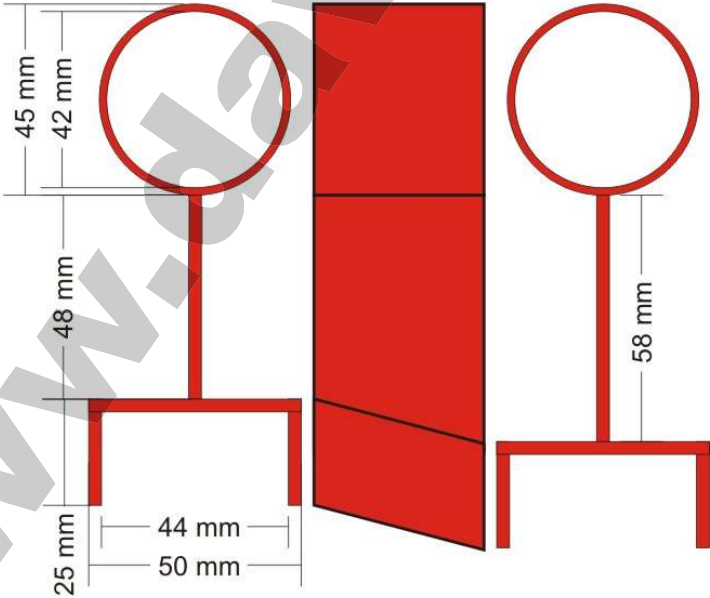


Reminder Device Lever Frame Update - Aug 2023

Tel: 0161-483 5678
www.davron.co.uk
railremdev@davron.co.uk



R-RA-0190 BLOCK REMINDER
Before and after
all dimensions approx.





Reminder Device
Lever Frame
Update - Aug 2023

Tel: 0161-483 5678
www.davron.co.uk
railremdev@davron.co.uk

R-RA-0193 MULTIFUNCTION
BLOCK

213x64mm
all dimensions approx.



www.davron.co.uk



R-RA-0206

‘B.T.E.T.’

25x46mm approx.
magnetic base